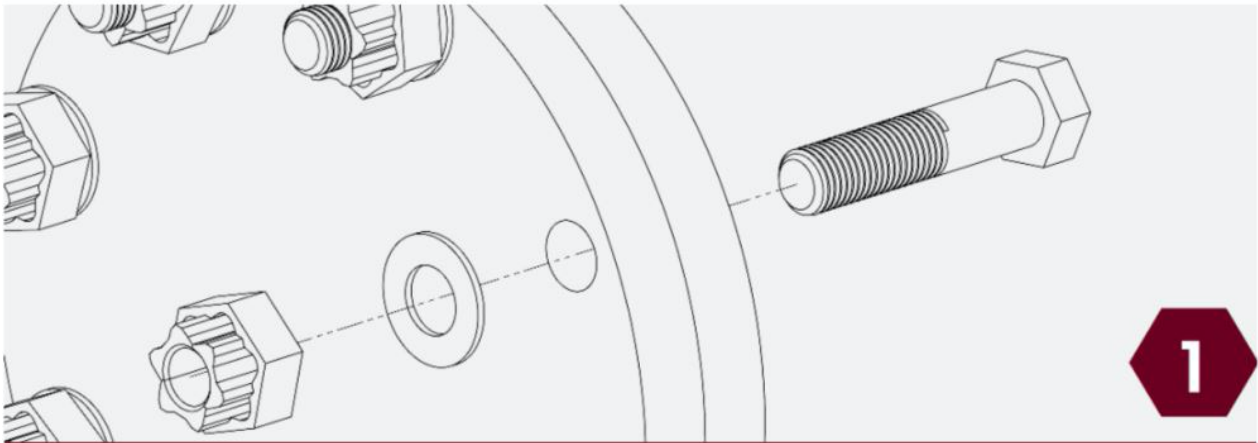
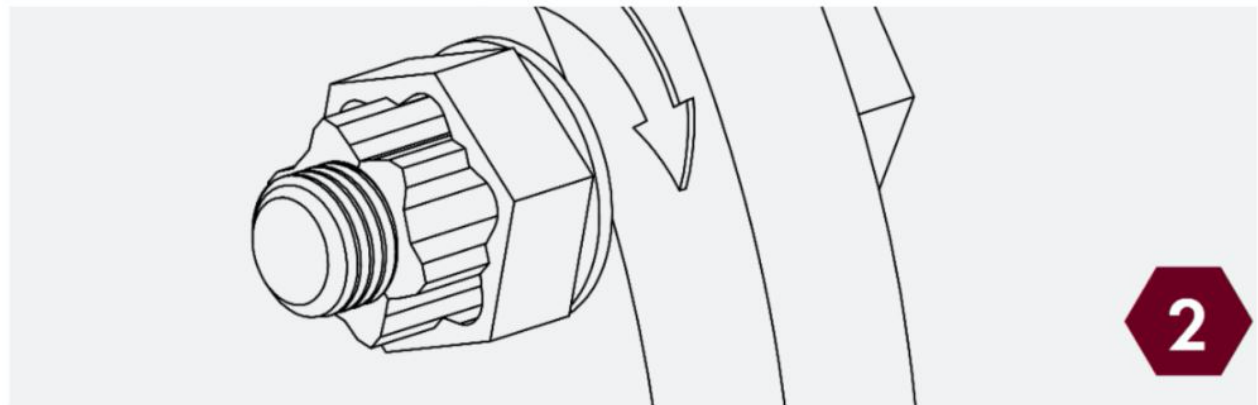


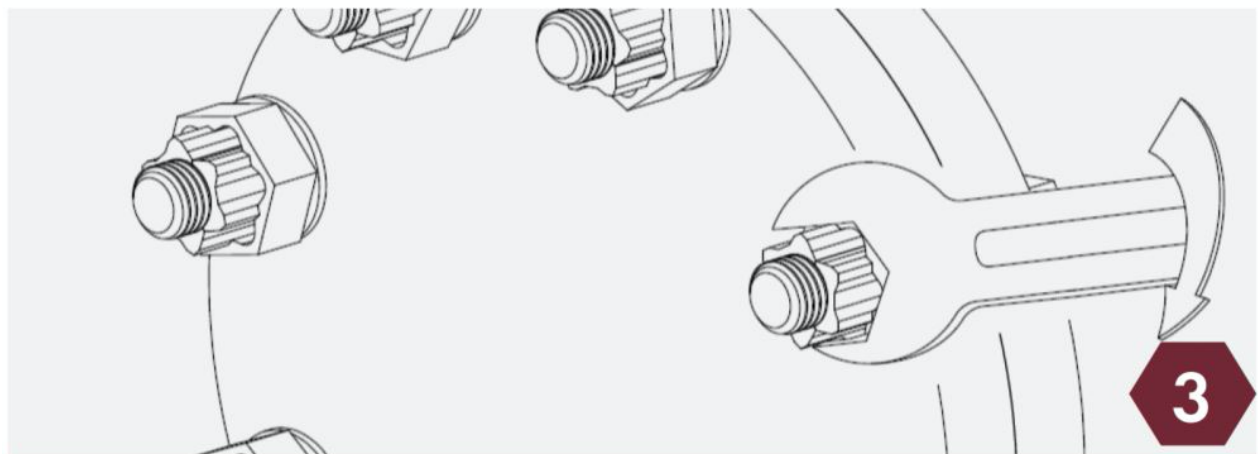
SEGNUT INSTALLATION SEQUENCE



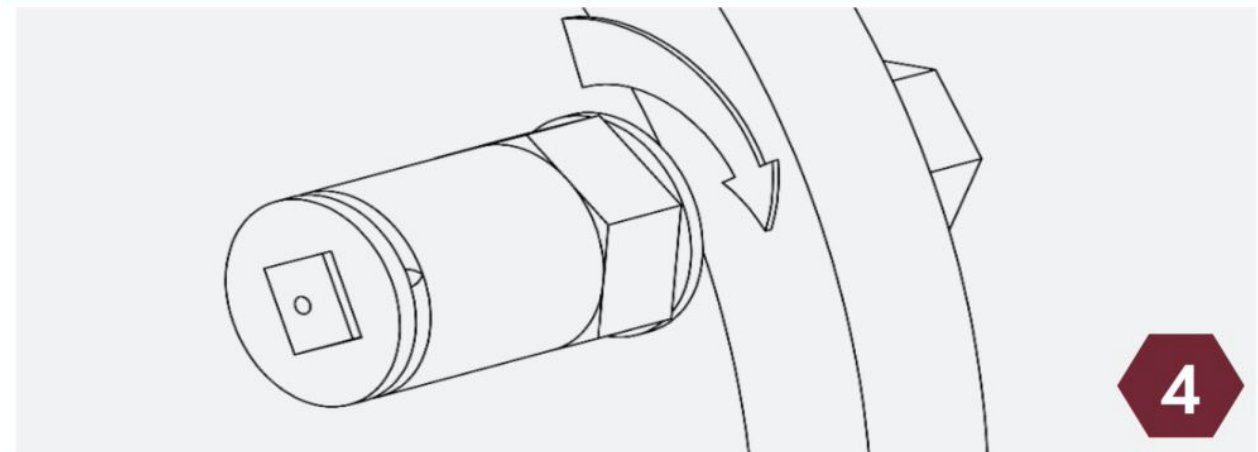
Assemble joint components



Spin Segnut down thread



Tighten Segnut with handtool



Tighten to full torque