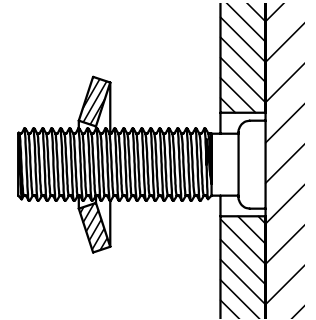


Segnuts are a female threaded fastener (nut) with an integrated, controlled release feature. This allows for fast and safe removal in severe applications, where standard nuts would usually seize or become difficult to remove. The following Installation Sheet is to aid in the successful implementation of Segnuts on fixed plant wear liner applications. This involves the replacement of nyloc nuts with Class 8 Segnuts and DIN6796 conical disc spring washers tightened to the torques provided. Both Newton-Metres (Nm) and Foot-Pounds (ftlbs) are shown.

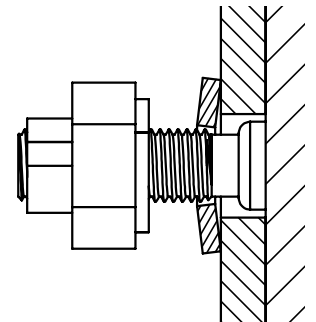
TIGHTENING TORQUES		
SIZE	Nm	'ftlbs'
CLASS 4.6 / 4.8 WELDED STUDS		
M12	43.8	32.3
M16	108.5	80.0
M20	212	156.4
M24	366.4	270.2
CLASS 8.8 BOLTS		
M12	85	62.7
M16	211	155.6
M20	412	303.9
M24	712	525.1

1. A CALIBRATED TORQUE WRENCH SHALL BE USED TO APPLY THE INSTALLATION TORQUES SPECIFIED ABOVE. UNDER-TIGHTENING SHALL BE AVOIDED TO PREVENT SELF-LOOSENING FROM VIBRATION.
2. THREAD SHOULD VISIBLY PROTRUDE THE TOP OF THE SEG NUT AFTER TIGHTENING.
3. THE DIN 6796 WASHER'S OUTER DIAMETER SHOULD VISIBLY CONTACT THE JOINT SURFACE TO ENSURE CORRECT ORIENTATION.
4. A PLATE WASHER SHALL BE USED UNDERNEATH THE DIN 6796 WASHER IF THE HOLE IS OVERSIZED.
5. NO LUBRICANT IS REQUIRED.

INSTALL DIN 6796
WASHER.
NOTE THE CORRECT
WAY UP.



INSTALL SEG NUT.



TIGHTEN USING THE
'INNER HEX' TO THE
TORQUES PROVIDED.

