

SEGNUT™

SAFER. FASTER. SMARTER.

TECHNICAL DATA SHEET

DOUBLE WASHER

RELEASE DATE: 05-08-2020

This document is uncontrolled if downloaded or printed, and may be inaccurate. Please ensure you have the latest version, which is available on the SPL web site.

This Technical Data Sheet (TDS) applies to the following part numbers:

Size	Part Number	Batches	Description
1-1/4"	W-125D-01-S9Z-01		1-1/4" Double Washer

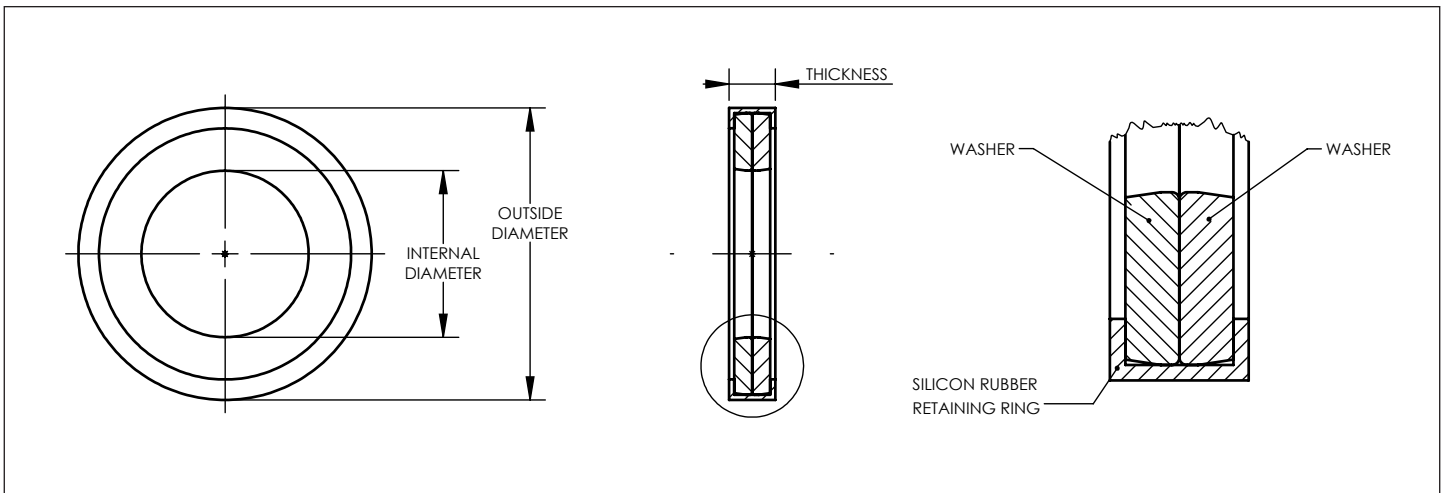
The SPL Double Washer is designed to ensure the correct tension is developed when tightening Segnuts on cutting edge and GET applications. The extra washer enables rotation between the two washers instead of between the nut-washer or washer-moldboard interfaces. This reduces variation in friction, more consistently converting torque to bolt tension.

FEATURES

- Sealed to protect from damage/contamination.
- High hardness to prevent galling under high stress.
- Consistent nut bearing surface friction.
- Reversible design.

IMPORTANT INFORMATION

- Do not lubricate.
- Do not disassemble or remove retaining ring.
- Install under Segnuts in cutting edge and GET applications.



SIZE	INTERNAL DIAMETER (mm)	OUTSIDE DIAMETER (mm)	THICKNESS (mm)
1-1/4"	32	57	9

WASHER MATERIAL	U 20452	GB/T 699
RING MATERIAL	Silicon Rubber	-
COATING	Electroplated Zinc	-
STRENGTH	Exceeds Grade 8 Bolt UTS	SAE J995
HARDNESS	40 - 45 Rockwell C	ASTM F606/F606M

This document is uncontrolled if downloaded or printed, and may be inaccurate. Please ensure you have the latest version, which is available on the Segnut web site.