

SEGNUT™

SAFER. FASTER. SMARTER.

TECHNICAL DATA SHEET

PLOW BOLT

RELEASE DATE: 05-08-2020

This document is uncontrolled if downloaded or printed, and may be inaccurate. Please ensure you have the latest version, which is available on the SPL web site.

This Technical Data Sheet (TDS) applies to the following part numbers:

Size	Part Number	Batches	Description
1-1/4"	B-125C-50-S9P-00		Plow Bolt Black

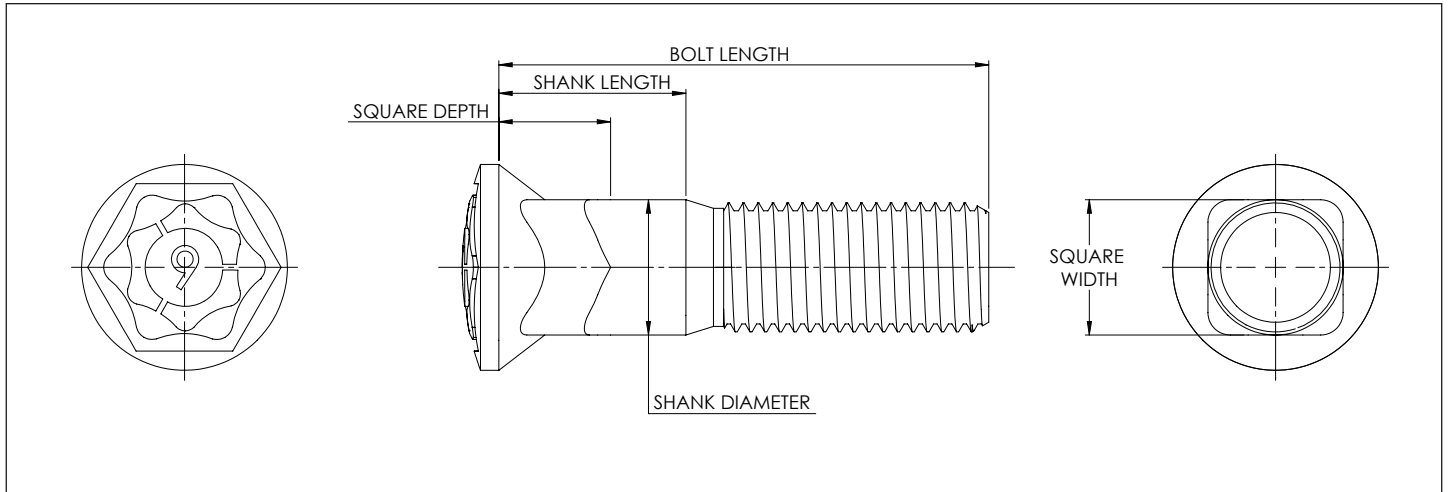
The SPL Plow Bolt is a high strength alloy steel bolt intended for use on cutting edge blade applications. The bolt meets or exceeds all OEM requirements for dozers and scrapers; as well as exceeding SAE grade 8 strength, proof load, and hardness requirements. SPL Plow Bolts are specifically tested in assemblies with S9 Segnuts and SPL Double Washers to ensure best performance and compatibility.

FEATURES

- Countersunk Square Head
- Ultimate Tensile Stress of 1240Mpa (180ksi)
- Oversized Shank
- Domed Head
- Batch Code Traceability

IMPORTANT INFORMATION

- Be aware that worn plow bolt heads are sharp. Never use fingers or hands to hold bolt in recess.
- Do not lubricate during installation.
- Follow the recommend OEM torque specifications. Install using a powered torque multiplier where possible for increased accuracy. Be aware of the reaction arm crush hazard.
- Pair with Segnuts for increased removal efficiency and safety.



SIZE	THREAD PITCH (TPI)	BOLT LENGTH (mm)	SQUARE WIDTH (mm)	SQUARE DEPTH (mm)	SHANK DIAMETER (mm)	SHANK LENGTH (mm)
1-1/4"	7	125 (5in)	33	25.4	33	40

MATERIAL	40 CR Alloy Steel	GB/T 3077
COATING	Zinc Phosphate + Oil	-
PROOF LOAD STRESS	900 MPa (130 ksi)	-
THREAD PROFILE	UNC	ASME B1.1
THREAD TOLERANCE	2B	ASME B1.1
HARDNESS	38-42 Rockwell C	ASTM F606/F606M
TRACEABILITY	Batch code traces every test and process back to the original nut material.	-
QUALITY	Factory production control & random sample testing.	ISO 3269

This document is uncontrolled if downloaded or printed, and may be inaccurate. Please ensure you have the latest version, which is available on the Segnut web site.