

# SEGNUT™

SAFER. FASTER. SMARTER.

## TECHNICAL DATA SHEET

# SEGNUT CLASS 8

RELEASE DATE: 30-10-2019

This document is uncontrolled if downloaded or printed, and may be out-dated. Please ensure you have the latest version, which is available on the Segnut web site.

This Technical Data Sheet (TDS) applies to the following part numbers:

Part Number	Batches	Description
N-M12C-03-08B-00	FSQ	M12 Class 8 Black
N-M16C-01-08B-00	FSE, FSI, FSR	M16 Class 8 Black
N-M20C-03-08B-00	FSG, FSJ, FSS	M20 Class 8 Black
N-M24C-03-08B-00	FSH, FSK, FST	M24 Class 8 Black

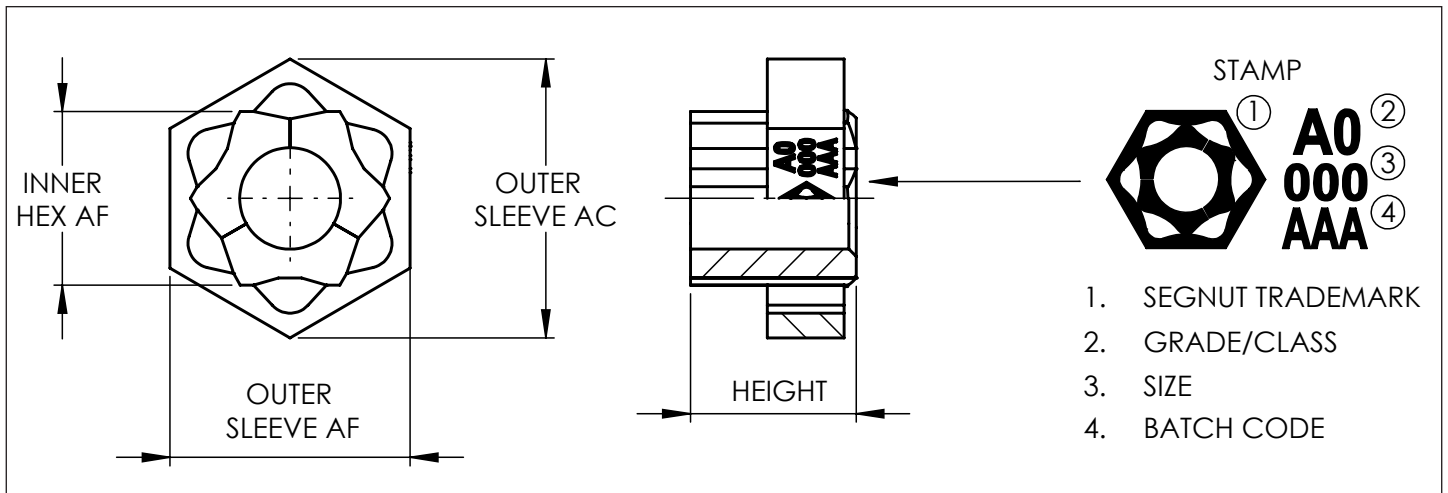
Segnuts are a female threaded fastener (nut) with an integrated, controlled release feature. This allows for fast and safe removal in severe applications, where standard nuts would usually seize or become difficult to remove.

**FEATURES**

- Fits on standard bolts.
- Full structural strength of standard (class 8) fastener.
- Tightened via inner hex with approx. the same torque as standard nuts, using standard tools and methods.
- Released via outer sleeve with approx. 70% of torque used to tighten.
- Eliminates the need for gas axing or other dangerous nut removal methods.

**IMPORTANT INFORMATION**

- The shock of rattleguns may cause the sleeve to prematurely release during tightening. To prevent, tighten snug by hand tool (1/4 turn min) before using rattleguns.
- Always install with hardened washers.
- Ensure a sufficiently long bolt is used such that the bolt threads are visible past the nut.
- Segnut is not an Anti-Vibration nut (Locknut). Use with Nordlock/Safety Washer if required.



SIZE	PART NUMBER	THREAD PITCH (mm)	HEIGHT (mm)	INNER HEX AF (mm)	OUTER SLEEVE AF (mm)	OUTER SLEEVE AC (mm)
M12	N-M12C-03-08B-00	1.75 mm	20.25	21	27	31.2
M16	N-M16C-01-08B-00	2.0 mm	27	21	32	37.0
M20	N-M20C-03-08B-00	2.5 mm	34.5	30	40	46.2
M24	N-M24C-03-08B-00	3.0 mm	34.5	36	50	57.7

<b>MATERIAL</b>	U 20452 Medium Carbon Steel Quenched & Tempered.	GB T699
<b>COATING</b>	Chemical Black Iron Oxide.	-
<b>PROOF LOAD STRESS</b>	920 MPa (Class 8)	ISO 898-2
<b>THREAD PROFILE</b>	M	ISO 68-1
<b>THREAD TOLERANCE</b>	6H	ISO 965-2
<b>HARDNESS</b>	24-30 Rockwell C	ASTM F606/F606M
<b>TRACEABILITY</b>	Batch code traces tests and processes back to the original nut material.	-
<b>QUALITY</b>	Factory production control & random sample testing.	ISO 3269

This document is uncontrolled if downloaded or printed, and may be out-dated.  
Please ensure you have the latest version, which is available on the Segnut web site.