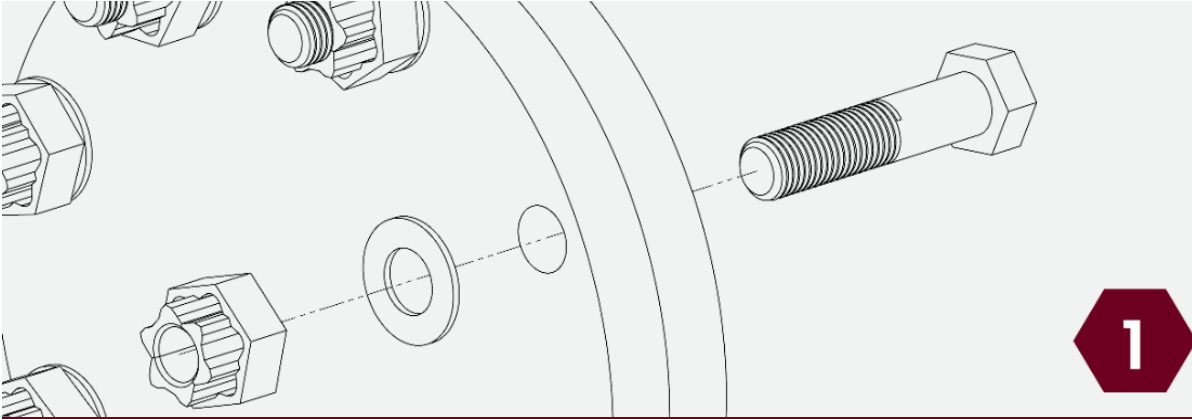
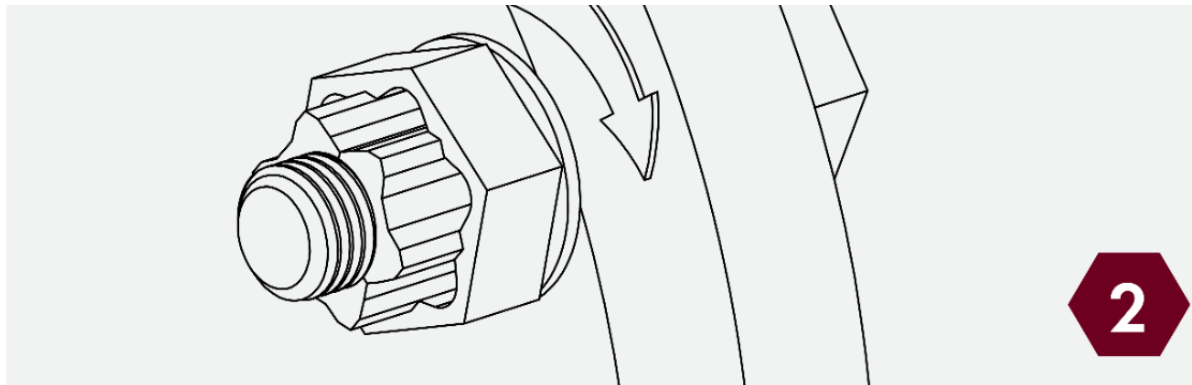


SEGNUT INSTALLATION SEQUENCE



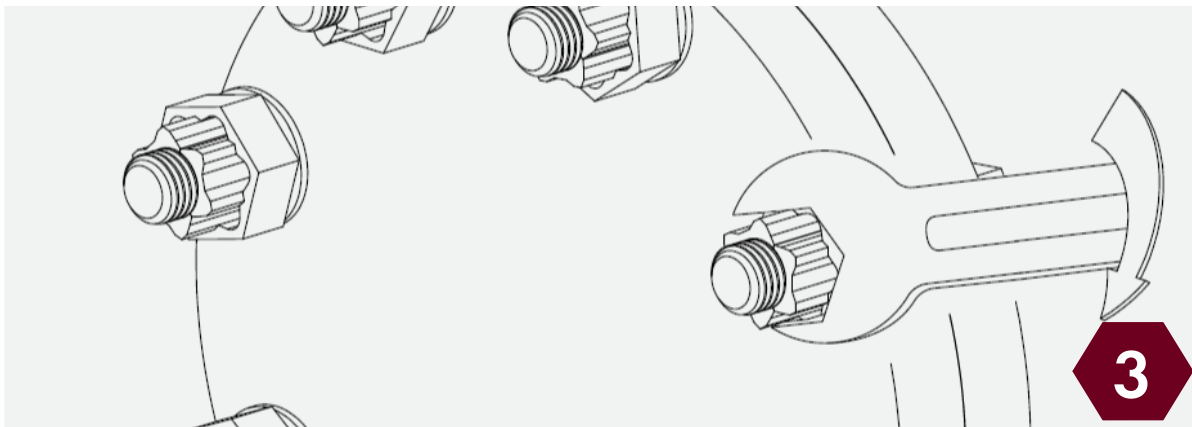
1

Assemble joint components



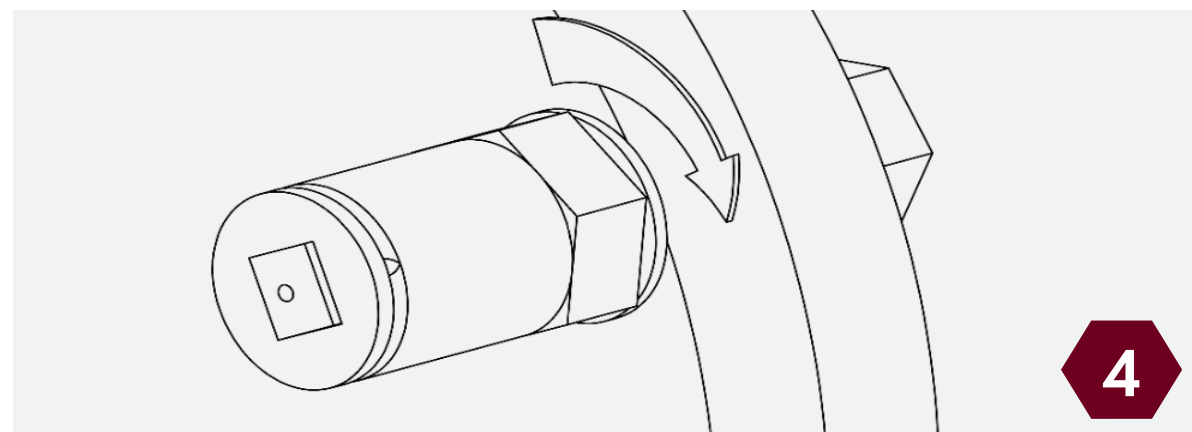
2

Spin Segnut down thread



3

Tighten Segnut with handtool



4

Tighten to full torque