



TECHNICAL DATA SHEET

SEG NUT GRADE 5

RELEASE DATE: 24-10-2022

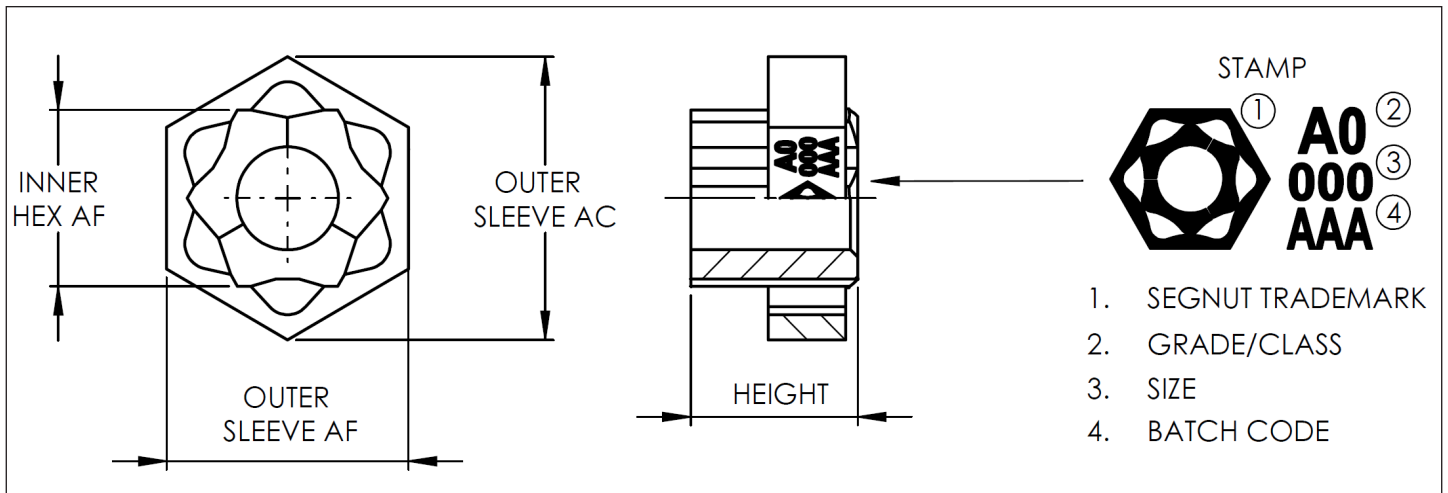
This document is uncontrolled if downloaded or printed, and may be out-dated. Please ensure you have the latest version, which is available on the Segnut web site.

This Technical Data Sheet (TDS) applies to the following part numbers:

Part Number	Batches	Description
N-063C-01-05B-00	FSL	5/8" Grade 5 Black
N-075C-03-05B-00	FSM	3/4" Grade 5 Black
N-088C-03-05B-00	FSN	7/8" Grade 5 Black
N-100C-03-05B-00	FSO	1" Grade 5 Black

Segnuts are a female threaded fastener (nut) with an integrated, controlled release feature. This allows for fast and safe removal in severe applications, where standard hex nuts would usually seize or become difficult to remove. Eliminating the need for gas axing or other dangerous nut removal methods.

- Fits on metric threaded bolts/studs - full structural strength of standard (property class 8) fastener. Not compatible with oversized threads such as Hot Dip Galvanised (HDG) bolts.
- Tightened via inner hex with approx. the same torque as conventional hex nuts, using standard tools and methods. Also loosened via the inner hex if seizure has not occurred.
- Released via outer sleeve with approx. 70% of torque used to tighten. Inner segments can then be freed from the bolt thread.
- The shock of rattleguns may cause the sleeve to prematurely release during tightening. To prevent, tighten snug by hand tool (1/4 turn min) before using rattleguns.
- The Segnut is larger than a conventional hex nut. Ensure bolt length results in threads being visible past the nut. Check the application has surrounding clearance to fit tooling onto the outer sleeve.
- The Segnut is not an anti-vibration nut (locknut). Take appropriate measures to mitigate self-loosening in susceptible applications.



SIZE	PART NUMBER	THREAD PITCH (TPI)	HEIGHT (mm)	INNER HEX AF (mm)	OUTER SLEEVE AF (mm)	OUTER SLEEVE AC (mm)
5/8"	N-063C-01-05B-00	11 TPI	27	21	32	37.0
3/4"	N-075C-03-05B-00	10 TPI	34.5	30	41	46.2
7/8"	N-088C-03-05B-00	9 TPI	34.5	36	50	57.7
1"	N-100C-03-05B-00	8 TPI	43	41	55	63.5

MATERIAL	U 20452 Medium Carbon Steel Quenched & Tempered.	GB T699
COATING	Chemical Black Iron Oxide.	-
PROOF LOAD STRESS	800 MPa (Grade 5)	SAE J995
THREAD PROFILE	UNC	ASME B1.1
THREAD TOLERANCE	2B	ASME B1.1
HARDNESS	24-30 Rockwell C	ASTM F606/F606M
TRACEABILITY	Batch code traces tests and processes back to the original nut material.	-
QUALITY	Factory production control & random sample testing.	ISO 3269