

SEGNUT™

SAFER. FASTER. SMARTER.

TECHNICAL DATA SHEET

SEGNUT S9

RELEASE DATE: 30-10-2019

This document is uncontrolled if downloaded or printed, and may be out-dated. Please ensure you have the latest version, which is available on the Segnut web site.

This Technical Data Sheet (TDS) applies to the following part numbers:

| Part Number | Batches | Description |
|------------------|---------------|-----------------|
| N-125C-03-S9B-01 | FSF, FSP, FSU | 1-1/4" S9 Black |

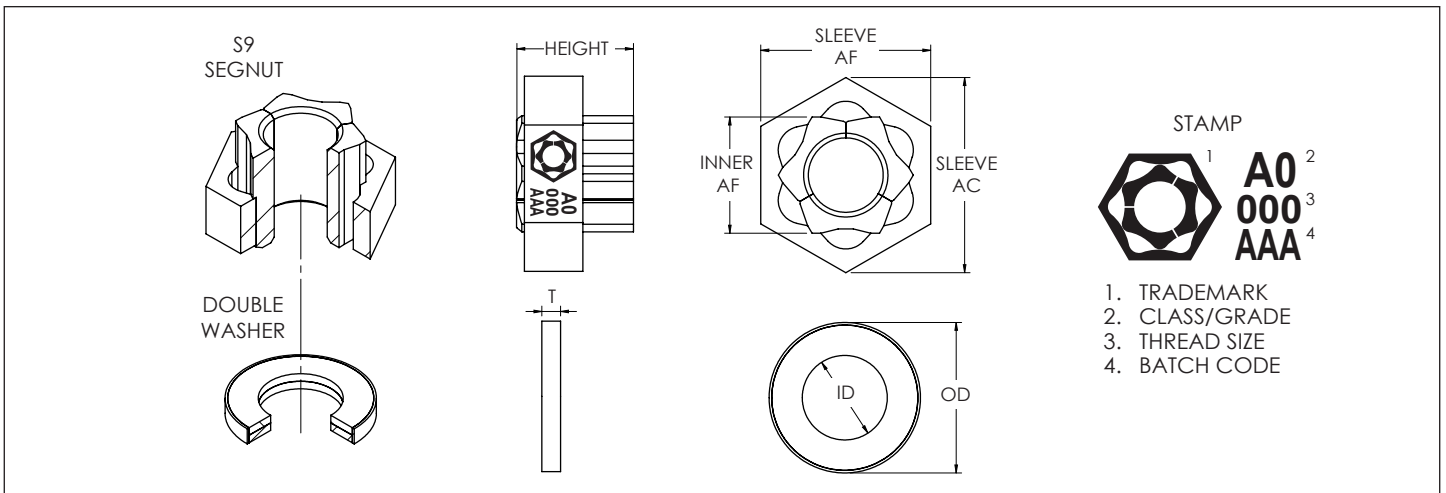
Segnuts are a female threaded fastener (nut) with an integrated, controlled release feature. This allows for fast and safe removal in severe applications, where standard nuts would usually seize or become difficult to remove.

FEATURES

- Fits on standard bolts.
- Full structural strength of standard (OEM Earthmoving) fastener.
- Tightened via inner hex with approx. the same torque as standard nuts, using standard tools and methods.
- Released via outer sleeve with approx. 70% of torque used to tighten.
- Eliminates the need for gas axing or other dangerous nut removal methods.

IMPORTANT INFORMATION

- Tighten firmly with hand tools before using impact tools to prevent premature release of the sleeve during tightening.
- Always install with supplied double washer assembly.
- Ensure a sufficiently long bolt is used such that the bolt threads are visible past the nut.



| THREAD SIZE | PART NUMBER | THREAD SIZE | HEIGHT (mm) | INNER AF (mm) | SLEEVE AF (mm) | SLEEVE AC (mm) | |
|---------------------|--|--|-------------|---------------|------------------------------|-----------------|--|
| 1 1/4" | N-125C-03-S9B-01 | 7 TPI | 44 | 46 | 64 | 73.9 | |
| MATERIAL | Nut & Double Washer: | U 20452 Medium Carbon Steel Quenched & Tempered. | | | | GB T699 | |
| | Washer Retaining Ring: | Silicon Rubber. | | | | - | |
| COATING | S9 Nut: | Chemical Black Iron Oxide. | | | | - | |
| | Double Washer: | Electroplated Zinc. | | | | - | |
| PROOF STRESS | 1240 Mpa (180 Ksi) | | | | Exceeding SAE J995 (Grade 8) | | |
| HARDNESS | S9 Nut: | 26 - 43 HRC | | | | ASTM F606/F606M | |
| | Double Washer: | 40 - 45 HRC | | | | ASTM F606/F606M | |
| TRACEABILITY | Batch code traces tests and processes back to the original nut material. | | | | - | | |
| QUALITY | Factory production control & random sample testing. | | | | ISO 3269 | | |

This document is uncontrolled if downloaded or printed, and may be out-dated. Please ensure you have the latest version, which is available on the Segnut web site.